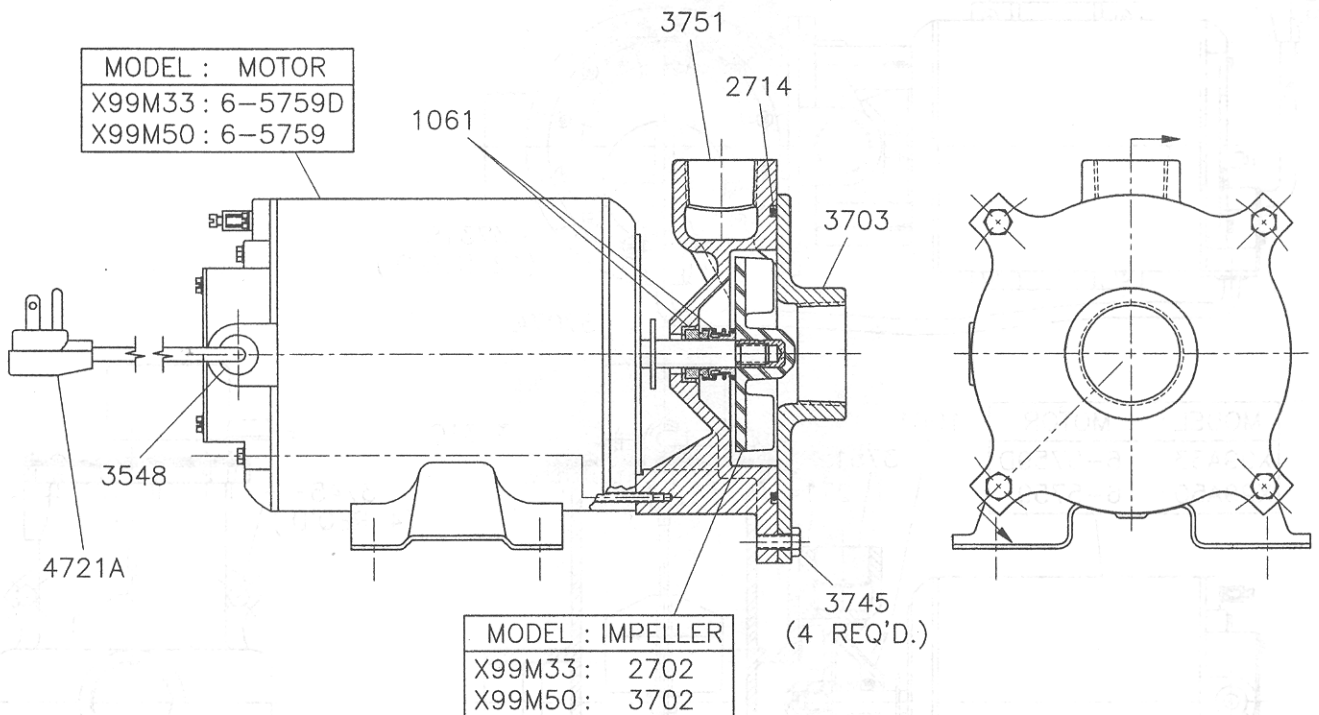


PARTS LIST

LANCASTER LAUNDRY TRAY WASTE WATER PUMPS MODELS X99M33 & X99M50

PART NO.	REQ'D.	DESCRIPTION	PART NO.	REQ'D.	DESCRIPTION
1061	1	ROTARY SEAL	3745	4	CAP SCREW, 1/4-20x5/8
2702	1	IMPELLER FOR X99M33	3751	1	DISCHARGE CASING
2714	1	O-RING	4721A	1	CORD SET, 16/3, 8 FT. WITH PLUG, SJTOW
3548	1	GROMMET	6-5759	1	1/2 HP MOTOR FOR X99M50
3702	1	IMPELLER FOR X99M50	6-5759D	1	1/3 HP MOTOR FOR X99M33
3703	1	SUCTION COVER			



LANCASTER PUMP A DIVISION OF C-B TOOL COMPANY